

GRAPHTEC

Improving work efficiency in pattern making

Garment Pattern Cutter

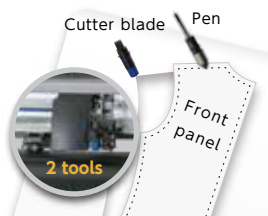
CE6000-120AP

Reliable cutting/plotting quality,
Intuitive operation, Easy to use



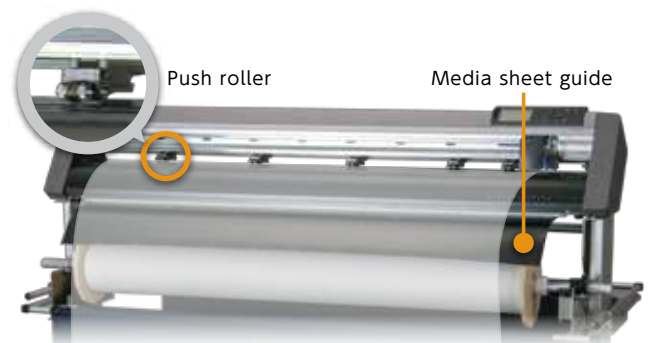
■ Dual tool configuration for cutting and plotting

It holds both a pen and a blade. The pen is for plotting and detailing graded patterns with seams, text, notches, grain direction, etc. The blade is to make the perforated cut of the pattern outline. The tool is automatically switched for cutting and plotting as needed, ensuring a high quality pattern and maximum productivity.



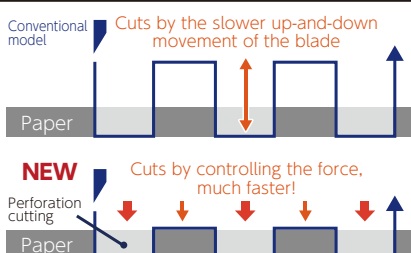
■ Reliable tracking

The number of push rollers has been increased to five, with the three inner rollers having two pressure settings (low and normal) to prevent media lifting and suit a wider range of substrates. A media sheet guide is also included to reduce static and to improve long length tracking. These two new additions ensure a more stable media feed and higher productivity.



■ Enhanced speed when perforation cutting

Perforation cutting is performed by controlling the cutting force instead of blade up/down movements, dramatically increasing throughput. The force is controlled by the design software using a new command.



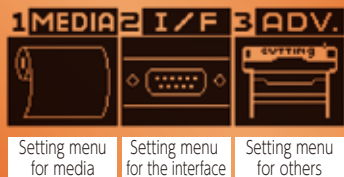
www.graphteccorp.com

Easy to use in simple operation mode

Two set up menus, Simple and Normal, are available and can be chosen by the operator as desired.

- Simple mode** Basic menus to ensure easy operation are displayed.
- Normal mode** Menus for setting of all functions are displayed.

Displayed menu in Simple mode



High adaptability to the operating environment

The design of the media feed system ensures that loaded media is acclimated to the ambient temperature and humidity before plotting or cutting.

The user-selectable media pre-feed function sets two outer tracks, enhancing media handling. Together, these two media feed elements ensure reliable cutting and plotting quality within the desired operating environment.

New design with ease of use

All operations such as media loading and unloading, and menu settings can be conveniently done from the front of the machine. For added convenience, heavy media can be loaded on the low position of the front media stocker as well. This front-loading configuration also saves valuable production space.

Large LCD with multi-language support

Settings can be easily configured using the large LCD (3.7-inches, 240 x 128 dots) and tactile control panel. It is also icon driven and supports 10 languages.

Specifications	
Item	CE6000-120AP
CPU	32-bit CPU
Configuration	Grit rolling type
Drive method	Digital servo drive
Maximum cutting area (Guaranteed accuracy)	1190 mm (W) x 50 m (L) (1190 mm (W) x 3 m (L)) *1
Mountable roll media	Width: min. 594 mm, max. 1220 mm
	Size: max. outside-diameter 200 mm
	Weight: max. 20 kg
	Core: inside-diameter 3 inches
Number of push rollers	5 rollers
Maximum cutting speed	600 mm/s (All directions)
Setting of cutting speed	1 to 10, 15, 20, 25, 30, 35, 40, 45, 50, 55, 60 cm/s (When the Auto-paneling is used, max. 30 cm/s)
Cutting force	0.2 to 4.41 N (20 gf to 450 gf) in 38 steps
Minimum character size	Approx. 5 mm alphanumeric (varies depending on character font and type of media)
Mechanical resolution	0.005 mm
Programmable resolution	GP-GL: 0.1 / 0.05 / 0.025 / 0.01 mm, HP-GL™: 0.025 mm
Repeatability	Max. 0.1 mm in plot up to 2 m *1 *2
Mountable number of tools	2 tools (Cutting blade and Pen)
Pen type	Oil-based ballpoint pen
Interface	USB2.0 (Full Speed), RS-232C
Buffer memory	2 MB
Command sets	GP-GL / HP-GL™ emulation (Set by the menu)
Display	Graphic type LCD (240dots x 128 dots), supports 10 languages
Power source	100 to 120, 200 to 240 V AC (Auto switch), 50 / 60 Hz
Power consumption	Approx. 120 VA
Operating environment (Guaranteed accuracy)	10 to 30 °C, 35 to 75 % R.H. (non-condensing)
	(18 to 28 °C, 40 to 65 % R.H. (non-condensing))
External dimensions	Approx. 1575 mm (W) x 1200 mm (D) x 1250 mm (H) (including stand)
Weight	Approx. 46 kg (including stand)
Compatible OS *3	Windows 8 / Windows 8 Pro / Windows 8 Enterprise Windows 7 (Ultimate / Enterprise / Professional / Home Premium) Windows Vista (Ultimate / Enterprise / Business / Home Premium / Home Basic) Windows XP (Professional / Home Edition)

*1: Operated with Graphtec specified cutting conditions and media.

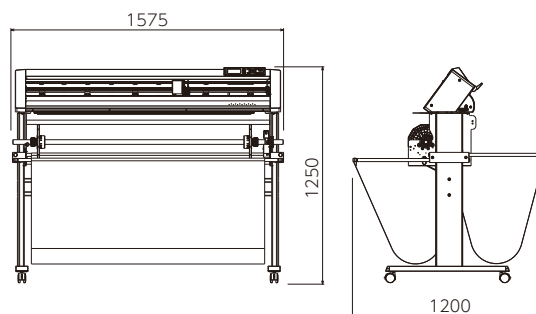
*2: Graphtec specified Mylar film is used to check the accuracy.

*3: For more information about compatibility of the OS or application software, please check the Graphtec website or contact your local representative of Graphtec.

Standard accessories			
Item	Q'ty	Description	
Power cord	1	The type of cord varies by destination	
Cutting blade holder	1	PHP33-CB09N-HS for CB09UB series cutting blade	
Cutting blade	1	CB09UB, 0.9 mm dia. supersteel blade	
Manual cutter	1	Cutter to cut off media manually	
Ballpoint pen holder	1	PHP34-BALL for KB700 ballpoint pen	
Oil-based ballpoint pen	1	KB700-BK (black ink)	
Media guide	1	Media guide sheet	
Stand	1	Stand with basket (user assembly type)	
USB cable	1	USB cable, 2.9 m long	
CD-ROM	1	User manual (PDF format), Windows driver	
Manuals	2	Setup manual, Safety caution manual	

Supplies			
Item	Part number	Description	Package
Cutting blade holder	PHP33-CB09N-HS	For 0.9 mm dia. blade (CB09UB series)	1 set/pack
	PHP33-CB15N-HS	For 1.5 mm dia. blade (B15U series)	1 set/pack
Cutting blade holder	CB09UB-5	0.9 mm dia., supersteel blade	5 blades/pack
	CB15U-5	1.5 mm dia., supersteel blade	5 blades/pack
Ballpoint pen holder	PHP34-BALL	For KB700 pen	1 set/pack
Oil-based ballpoint pen	KB700-BK	Black colour pen	10 pens/pack
Fiber-tip pen holder	PHP31-FIBER	For KF700 series pen	1 set/pack
Water-based fiber-tip pen	KF700-BK	Black colour pen	10 pens/pack
	KF700-RD	Red colour pen	10 pens/pack
	KF700-BL	Blue colour pen	10 pens/pack
High grade fine paper	PR1200-SQ-100-2	Roll, 1200 mm x 100 m, 81.4 g/m ²	2 rolls/pack
	PR950-SQ-100-R1B	Roll, 950 mm x 100 m, 81.4 g/m ²	1 roll/pack
	PR594-SQ-50-R1B	Roll, 594 mm x 50 m, 81.4 g/m ²	1 roll/pack

External dimensions



Unit : mm
Tolerance : +/-5mm

Brand names and product names listed in this brochure are the trademarks or registered trademarks of their respective owners. Specifications are subject to change without notice. For more information about products, please check the web site or contact with your local distributor of Graphtec.

GRAPHTEC
Graphtec Corporation

503-10 Shinano-cho, Totsuka-ku, Yokohama 244-8503, Japan
Tel : +81-45-825-6250 Fax : +81-45-825-6396
Email : webinfo@graphtec.co.jp

Website <http://www.graphteccorp.com>

